

Instructions for use

Agilent High Voltage Feedthrough

Agilent high voltage feedthroughs are rated up to 12 kV DC.

Models are available equipped with a stainless-steel skirt for welding into vacuum chambers or with a Mini-ConFlat® or 2 3/4" ConFlat flange.

Product Name	Part Number
FEEDTHROUGH HV, WITHOUT FLANGE	9540006
FEEDTHROUGH 12KV 10A ON MINI CFF	9545143
FEEDTHROUGH ON MINI CFF VACUUM PLUS	9595120

All dimensions inches (mm)



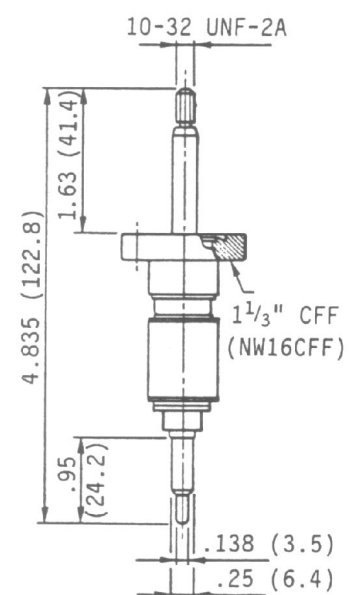
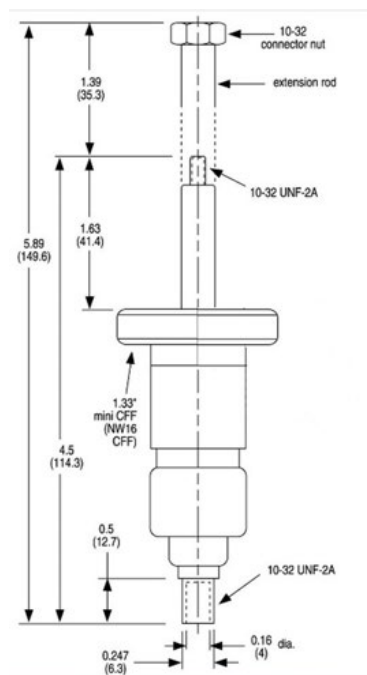
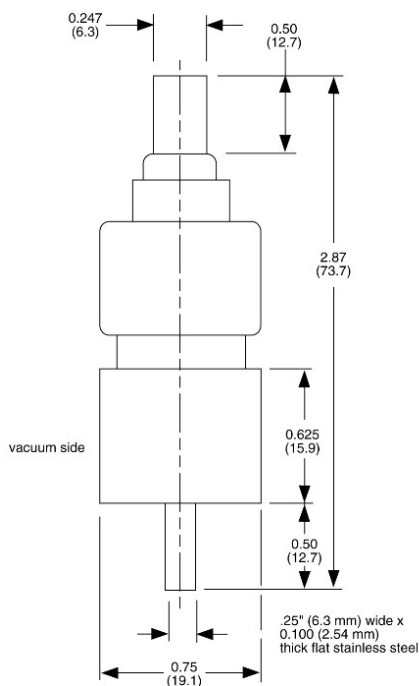
Model 9540006



Models 9545143



Model 9595120



Instructions for use
SPECIFICATIONS

Feedthrough model number	9540006	9545143 on 1 1/3" Mini CFF®	9595120
Voltage rating (below 10 ⁻⁴ Torr/mbar)	12 kV DC maximum		
Current rating	10A maximum		
Temperature bakeout range	-196°C to + 450°C		
Conductor	Stainless Steel rod 0.25" (6.4 mm) Ø external 0.25" wide x 0.1" thick flat (6.4x2.5mm)	0.25" (6.4 mm) Ø stainless steel rod	
Mounting flange	without flange	1.33" OD (NW16) Mini ConFlat flange or 2.75" OD (NW 35) ConFlat flange	1.33" OD (NW16) Mini ConFlat flange
Mating connector Vacuum side	-----	Provided items: SST nut 00-641133-60 Extens. rod 00-6183737-01	-----
Mating connector External side	Not provided items: - Spring garter SR0060141001 - Connector SR03704482		- Not provided items: - Spring garter SR0060141001 - Cable to power unit 9290710 - Cable to power unit, 10 mt, 9290710S010 - Cable & adapter to control unit 9290775
Body material	Stainless steel		
Weight	1 lb - 0.45 kg	2 lb average - 0.9 kg	2.4 lb - 1.0 kg

Instructions for use

Disposal

The following symbol is applied in accordance with the EC WEEE (Waste Electrical and Electronic Equipment) Directive. This symbol (valid only in countries of the European Community) indicates that the product it applies to must NOT be disposed of together with ordinary domestic or industrial waste but must be sent to a differentiated waste collection system. The end user is therefore invited to contact the supplier of the device, whether the Parent Company or a retailer, to initiate the collection and disposal process after checking the contractual terms and conditions of sale.



For more information refer to:

<http://www.agilent.com/environment/product/index.shtml>

Customer Support & Service:

NORTH AMERICA:

Toll Free: 800 882 7426
vpl-ra@agilent.com
Lexington-service@agilent.com

EUROPE:

Toll Free: 00 800 234 234 00
vpt-customer@agilent.com

PACIFIC RIM:

please visit our website for individual office information
<http://www.agilent.com/chem/vacuum>

Worldwide Web Site, Catalog and Order Online:

www.agilent.com/chem/vacuum
Representatives in most countries

This information is subject to change without notice.

© Agilent Technologies, Inc. 2026

Printed in Italy, 03/2026

87-900-044-01 (D.00)